

EMCO



MAXXTURN 65-1000

Universal turning center for
complete machining of bar
stock and chuck work



CNC-UNIVERSAL-TURNING CENTRE WITH MILLING DRIVE AND Y-AXIS

Featuring a clever, modular design, the MAXXTURN 65-1000 offers many possibilities when it comes to meeting specific customer requirements. Two structurally identical and powerful turning spindles offer the basis for unlimited complete machining. A tool turret on the cross slide with optional Y-axis ensures the requisite flexibility. Each of the tool turret's positions is able to hold both stationary and driven milling and drilling heads. The optionally available BMT turret with water-cooled direct drive makes it possible to produce turned/milled parts, which are machined predominantly using milling operations, in an economical way.



Sprocket adapter
(Aluminium)

1 MAIN SPINDLE

- / Integrated, water-cooled spindle motor
- / Spindle nose A2-6 (A2-8)
- / High drive power 29 (37) kW
- / High torque 250 (360) Nm
- / Large speed range 0 – 5000 (4000 / 3500) rpm
- / Bar capacity diameter 65 (76,2 / 95) mm

2 TOOL SYSTEM

- / 12-station tool turret
- / VDI 30 (VDI 40) quick-change system
- / 12 driven tool stations
- / Servo-controlled
- / Rigid tapping, Polygonal turning, etc.
- / Optional with BMT-turret and direct drive

3 Y-AXIS

- / Travel +/- 50 mm
- / Stable, compact construction
- / Largely spaced guide ways
- / Wedge-style design

4 WORK AREA

- / Large spindle distance 1050 mm
- / Optimum accessibility
- / Straight chip drop
- / Stainless steel covers and linings



Machine with optional equipment

5 CONTROL UNIT

- / Ergonomically arranged on the right from the working area
- / Swiveling and height-adjustable
- / Sinumerik 840D sl with 22" colour screen and EMCONNECT
- / FANUC 31i-B with 15" colour screen
- / Conversational programming (ShopTurn / Manual Guide i)
- / 3D simulation
- / USB interface

6 COUNTER SPINDLE

- / A2-6 (A2-8) spindle nose
- / Integrated, water-cooled spindle motor
- / High drive power 29 kW
- / High torque 250 Nm
- / Large speed range 0 – 5000 (4000/3500) rpm
- / Incl. coolant-fed parts ejector
- / Optional with Ø 65 (75/95) mm through hole for shaft unloading

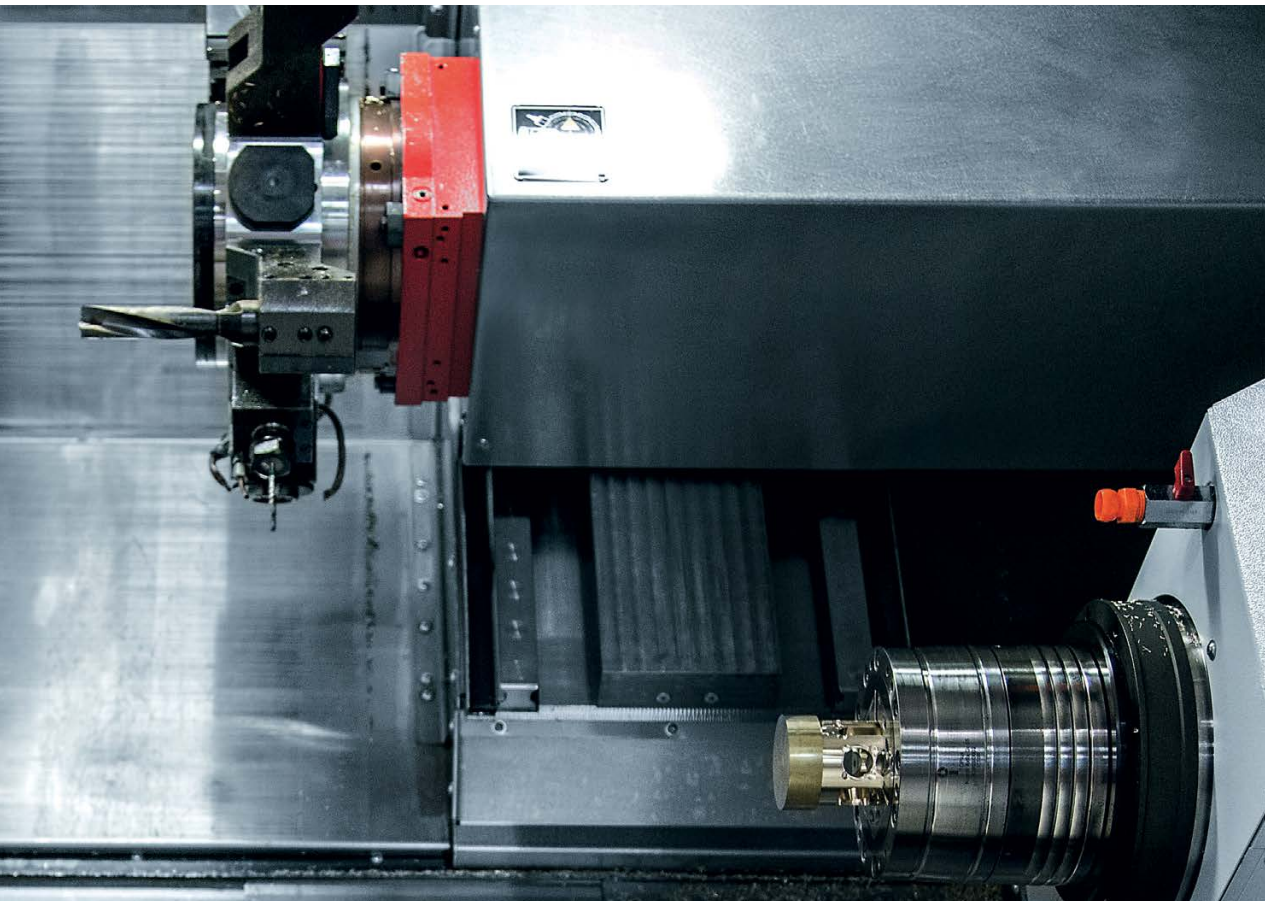
7 CHIP CONVEYOR

- / Hinged type conveyor belt
- / Ejection height 1200 mm
- / Integrated coolant tank 450 l
- / Turret pump 14 bar
- / Flushing pumps 2 x 3.7 bar

8 AUTOMATIC WORK PIECE PICK UP DEVICE

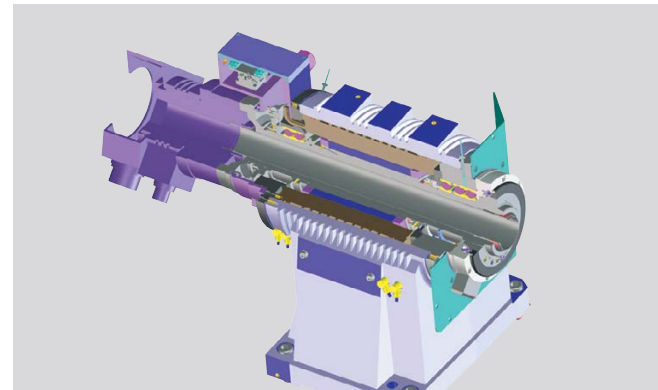
- / Optional arranged on the right in the working area
- / Protected against chips and coolants
- / Universally applicable
- / Including along-integrated prefabricated part buffering belt

TECHNICAL HIGHLIGHTS



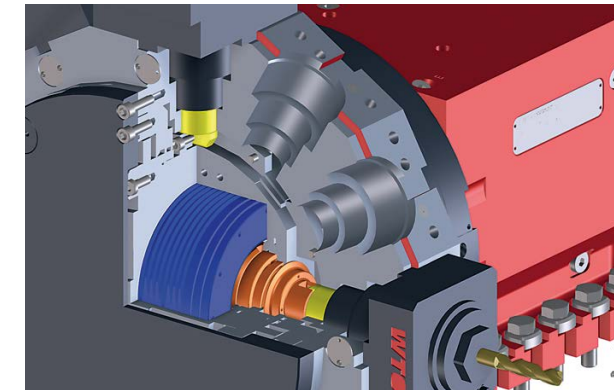
TOOL TURRET

Fast 12-station servo turret with very short switching times for standardized VDI30 or VDI40 tools. All stations can hold driven tools for drilling, milling and threading operations. The operator is able to control the indexing speed with the override switch at any time.



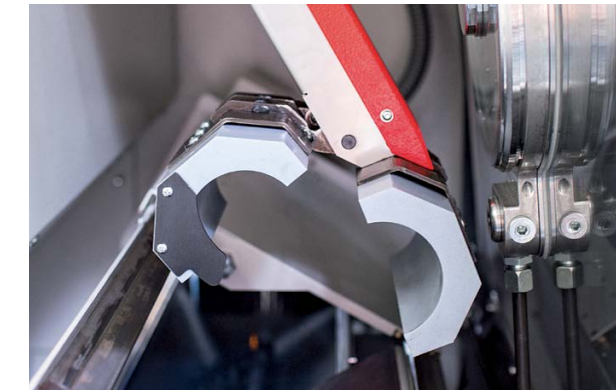
INTEGRATED SPINDLE MOTOR (ISM)

The latest synchronous technology guarantees the highest dynamics and an exceptional torque in a compact design. Liquid cooling in conjunction with automatic temperature control maintains a constant temperature for all spindle motors.



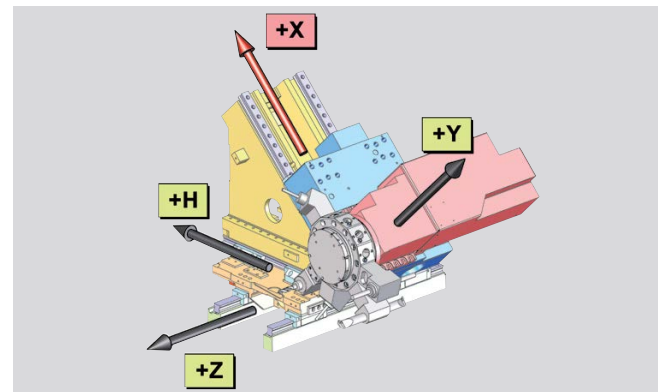
BMT55-TURRET

For economical production of complex turned/milled parts with mainly milling share, there is optional the BMT-turret with water cooled direct drive. With max. 12000 rpm, 28 Nm and 11,7 kW, this turret offers optimal prerequisites for the complete machining.



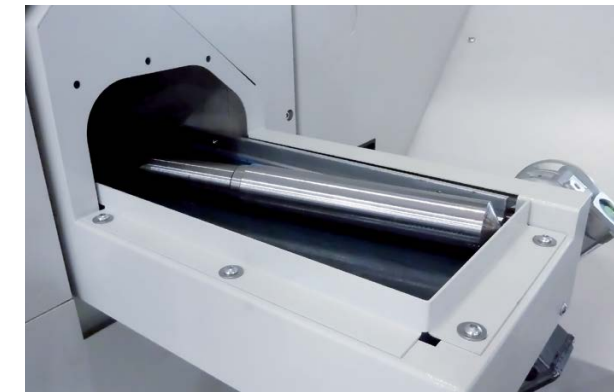
PARTS CATCHER

The MT 65-1000 electro-pneumatic parts catcher is controlled using M functions. When needed, it moves to the front of the work area and pivots to the spindle center. The finished part is removed from the clamping device and transferred to the catcher tray. The parts catcher then moves back to its initial position and the part is tipped onto a conveyor belt.



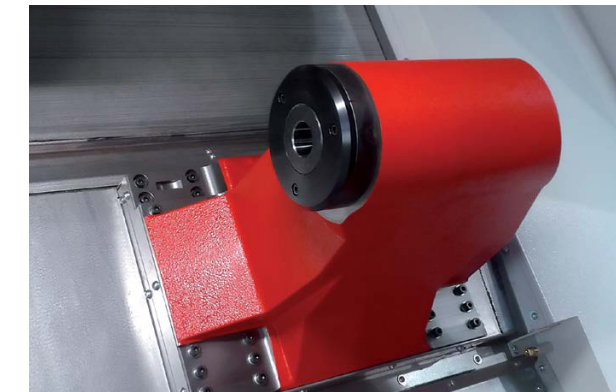
HIGH-PRECISION Y-AXIS

The MAXXTURN's Y-axis is designed to distribute the cutting forces over two guide planes. The result: outstanding rigidity for all turning and milling operations. The +/- 50 mm travel path permits off-center milling and drilling.



FINISHED PART CONVEYOR BELT

On the conveyor belt within the machine casing, arranged lengthwise, with a storage surface of 1400 x 180 mm, the work pieces are put down damage free.



TAILSTOCK

For shaft-type application, the MT 65-1000 offers two tailstock versions. On the one hand an universal, hydraulic movable tailstock for manually loaded machines and on the other hand a NC-tailstock for fully automatic loaded machines – with the advantage of very short idle times.

HIGHLIGHTS

- / 2 high performance and water cooled spindle motors
- / 12-station turret with VDI 30 / 40 quick-change system
- / Optional with BMT-turret and direct drive up to 12000 rpm
- / Y-axis with 100 mm stroke for processing of complex turned/milled parts
- / Bar stock feed up to \varnothing 95 mm
- / Optimum chip flow and user-friendly work area
- / SINUMERIK 840D sl or FANUC 31i-B for high-performance drive and controls
- / Made in the Heart of Europe



TOOL MEASURING

The tool measuring arm equipped with a touch-probe enables fast and precise measuring of tools in the workspace. It is mounted manually in the bracket below the main spindle and returned to a storage tray in the left machine cladding after use.

NETWORKS ARE CREATED INDIVIDUALLY – OUR SOLUTIONS AS WELL

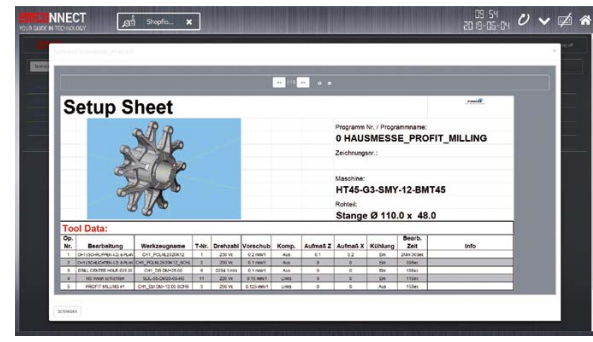
Staying in touch is not only important for people. Staff, machines and the production environment must also be securely networked with each other to ensure an efficient production process. With EMCONNECT, the machine is optimally equipped for this. In addition, EMCONNECT Digital Services provides innovative online services to optimise machine operation. The machine data form the basis for a wide range of applications. In this way, the user has the status of the machine available at any time and in any place.

Integration into the control

EMCONNECT offers options for situation-dependent operation. Apps can also be used in parallel with the control system. With optimal integration into the NC control system, EMCONNECT complements the NC control with powerful functions for modern control generations (SIEMENS, HEIDENHAIN, FANUC). The familiar vision of the machine NC control is maintained at all times.

An innovative concept

These powerful apps may be used independently from the control, while in the background the machine is busy in the production process. With only one click, you can change at any moment between numerical control and EMCONNECT. This is possible with the help of an innovative and ergonomic control panel, equipped with a modern 22" multi-touch display, an industrial PC with associated keyboard and HMI hotkeys.



Control panel as central platform

With EMCONNECT, the machine control panel becomes a central platform with access to all necessary applications, data and documents. Remote Support, Web Browser and Remote Desktop offer a wide range of connection options, even outside the direct production environment. The optional OPC UA interface allows data exchange with the IT system environment and interaction with other machines for shop floor automation. In this way, EMCONNECT makes an important contribution to highly efficient machine operation.



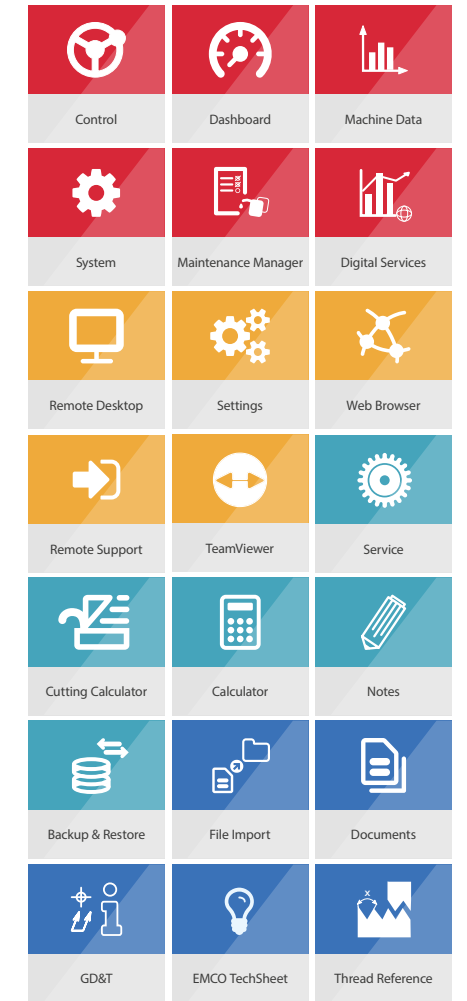
Innovative online services

With EMCONNECT Digital Services, all interested users have online access to the current status and evaluations of the machine. Automatic notification in the event of malfunctions or machine stoppages and extended diagnostic options for remote maintenance reduce downtimes and machine downtime to a minimum. Integrated maintenance management supports predictive maintenance based on machine utilisation. Thanks to the continuous development of online services, new functions are always available.

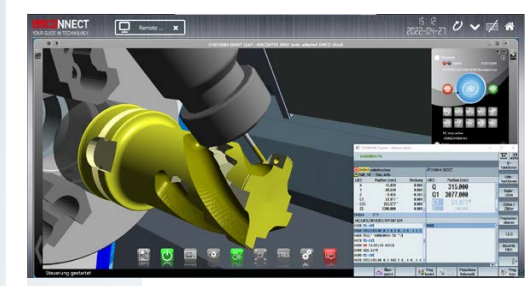
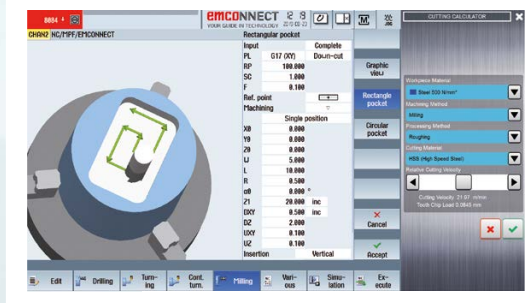
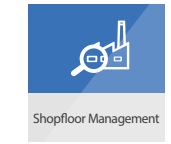
EMCONNECT HIGHLIGHTS AND FUNCTIONS

- Fully networked**
Remote access to office computers, web browsers and online services with all applications and users connected
- Compatible**
Interface for seamless integration into the operating environment
- Structured**
Clear monitoring of the machine state and the production data
- User-friendly**
Intuitive and production-optimized touch operation
- Customized**
Open platform for modular integration of customer-specific applications
- Future-proof**
Continuous extensions as well as easy updates and upgrades

Standard-Apps



Optional



✓ The EMCO short bar loaders. Universal and powerful.



SHORT AND TO THE POINT.

The EMCO SL 1200 is the perfect solution for automatic feeding and loading of cut-to-length bars. The key advantages are a small footprint and rapid loading times resulting from shorter strokes.

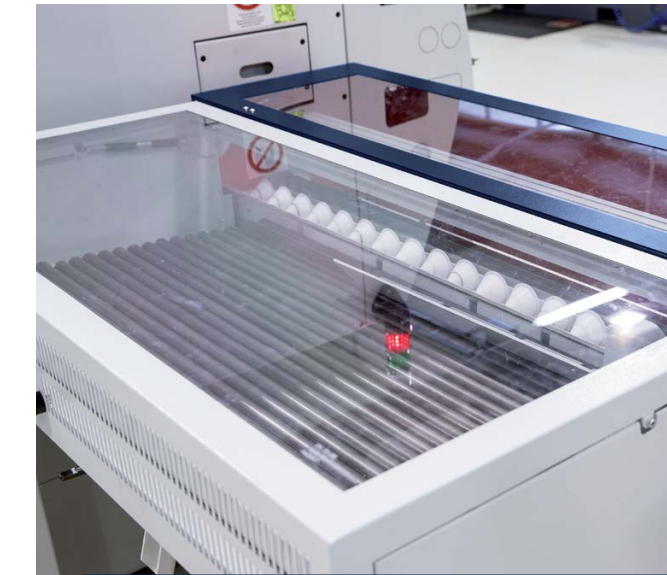
The technology. The SL 1200 can be used immediately as a "plug-and-play" solution. Their extremely small footprint enables processes to be automated even if space is tight. Apart from complying with the latest safety requirements, it is easy to operate and moveable

for service purposes. Besides, it can comfortably be incorporated into the production process using the machine control's programme input masks. Minimum setup efforts are required when switching over to other bar diameters.



EMCO SL 1200

Space-saving and cost-effective bar loading magazine. Operation and programming could not be easier. May also be used for loading single items through the lathe's main spindle.



Material storage

The material storage surface with a length of 560 mm is arranged at the rear of the bar loader in a manner with no influence whatsoever on the space available. Depending on the diameter it is possible to store a different number of short bars.

THE BENEFITS

- / Small footprint
- / Easy to use
- / Short feed times
- / Fast, straightforward changeover
- / Option to load individual workpieces
- / Central diameter adjustment
- / The loader operates without oil
- / Ergonomic EMCO design

Technical data	SL 1200
Bar diameter	Ø 8 – 95 mm
Max. bar length	1200 mm
Min. bar length	150 mm
Max. bar weight	45 kg
Material storage length	approx. 560 mm
Feed rate	0 – 60 m/min
Bar change time	approx. 15 sec.
Dimensions (L x W)	1700 x 1250 mm
Weight	approx. 500 kg

THE EMCO GANTRY LOADER. INDIVIDUAL PROCESS OPTIMIZATION.

- 1 GANTRY LOADER
- 2 PALLET MAGAZINE (with 20 stations)
- 3 GRIPPER SYSTEM



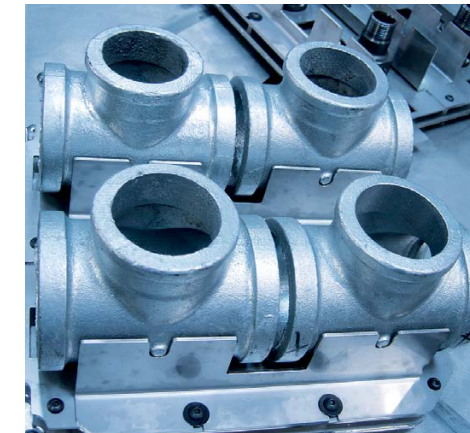
ADVANTAGES

- / Fully automatic loading and unloading of the workpieces
- / Multi-channel Sinumerik control incl. user cycles
- / Seamless interplay between the machine tool and the loading device
- / Varied possibilities of customer-specific adaptation
- / Possibility of integration of measuring station, signing station, cleaning station, etc.
- / Short spare time due to a loading hatch

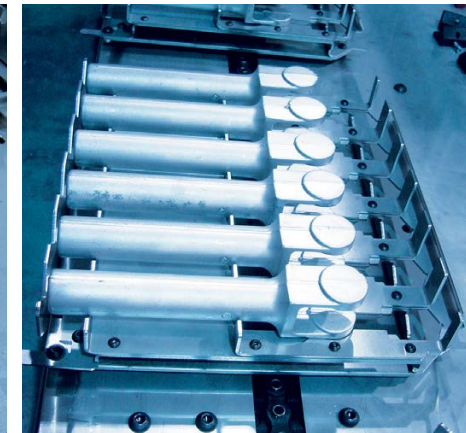
AUTOMATIC RETURN ON INVESTMENT

Workpiece magazine

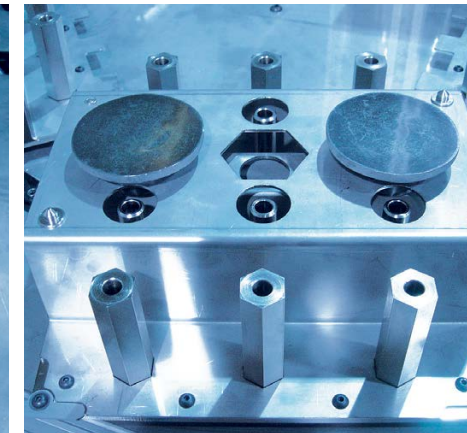
Blank-specific pallet attachments enable oriented loading of blanks into the machine and increase the parts stock for unmanned production. Changeover times are reduced or eliminated thanks to the perfect adjustment to the customer's parts.



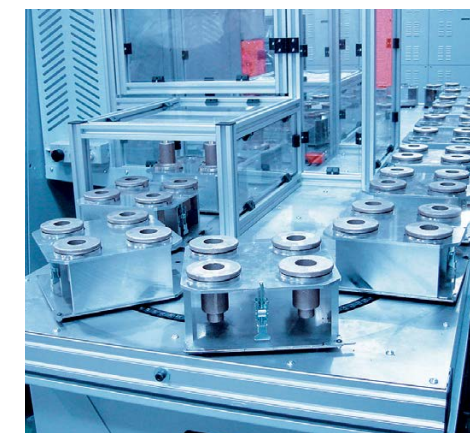
4-station pallet attachment for tees



6-station pallet attachment for articulated brackets



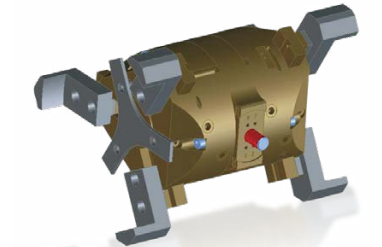
Multi-pallet attachment for a family of parts



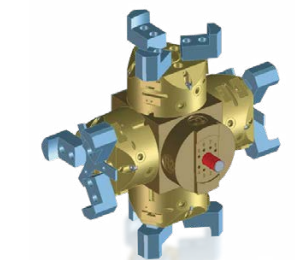
4-station pallet attachment for valve caps



20-station pallet magazine with customer-specific pallets



2 x 3-jaw double gripper head



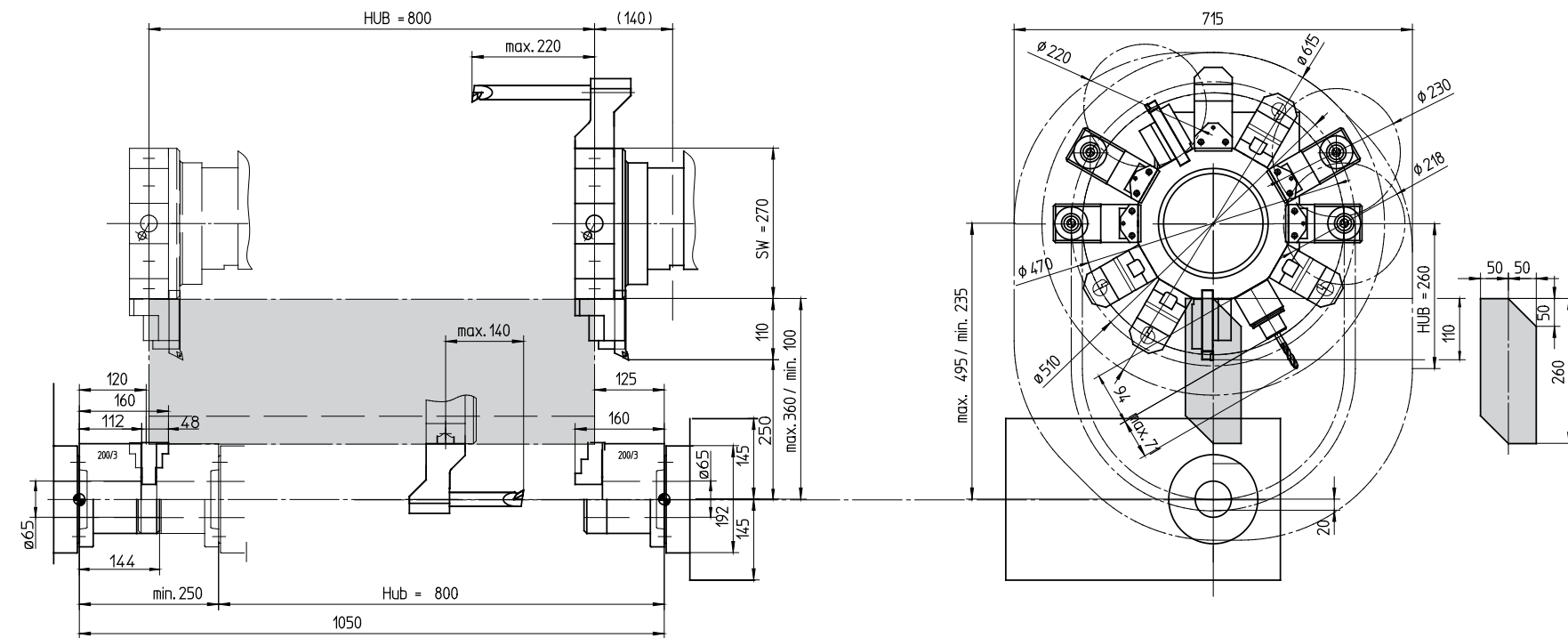
4 x 3-jaw gripper head



Shaft gripper head

WORKSPACE

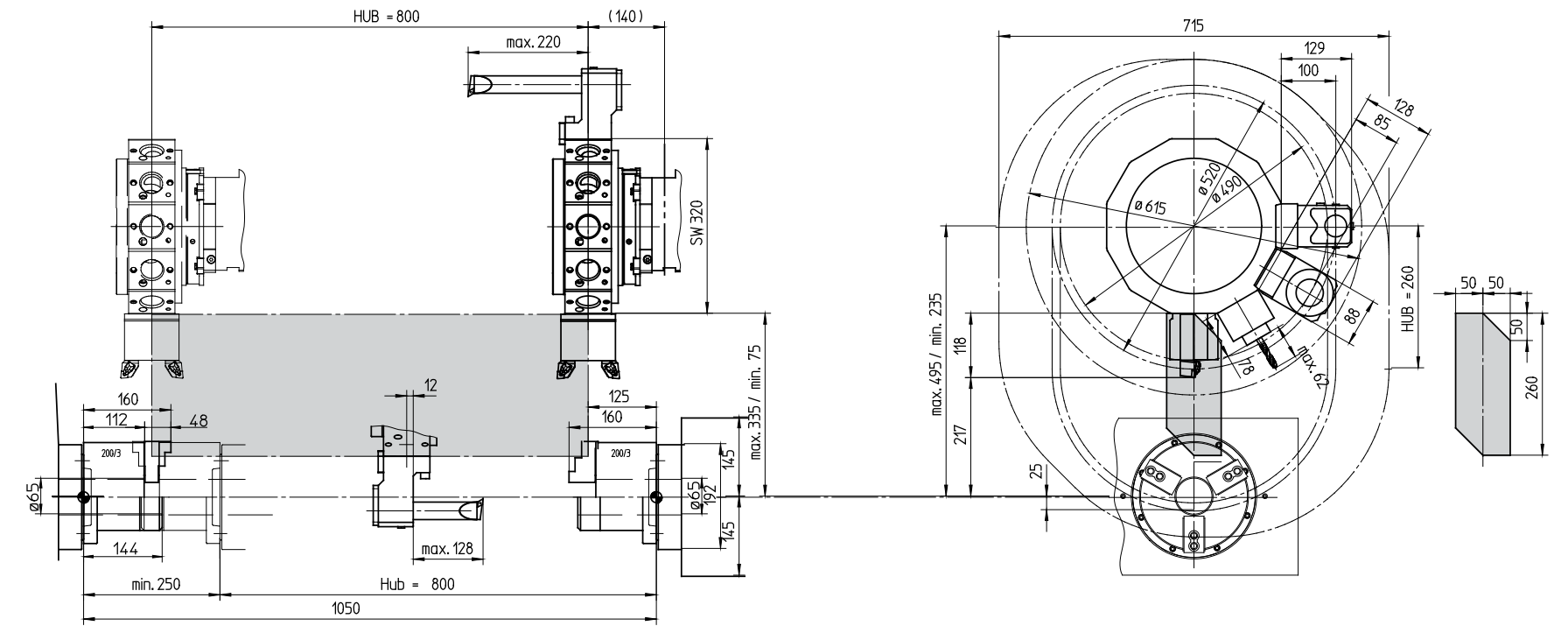
Maxxturn 65-1000
with VDI 30



Indications in millimeters

WORKSPACE

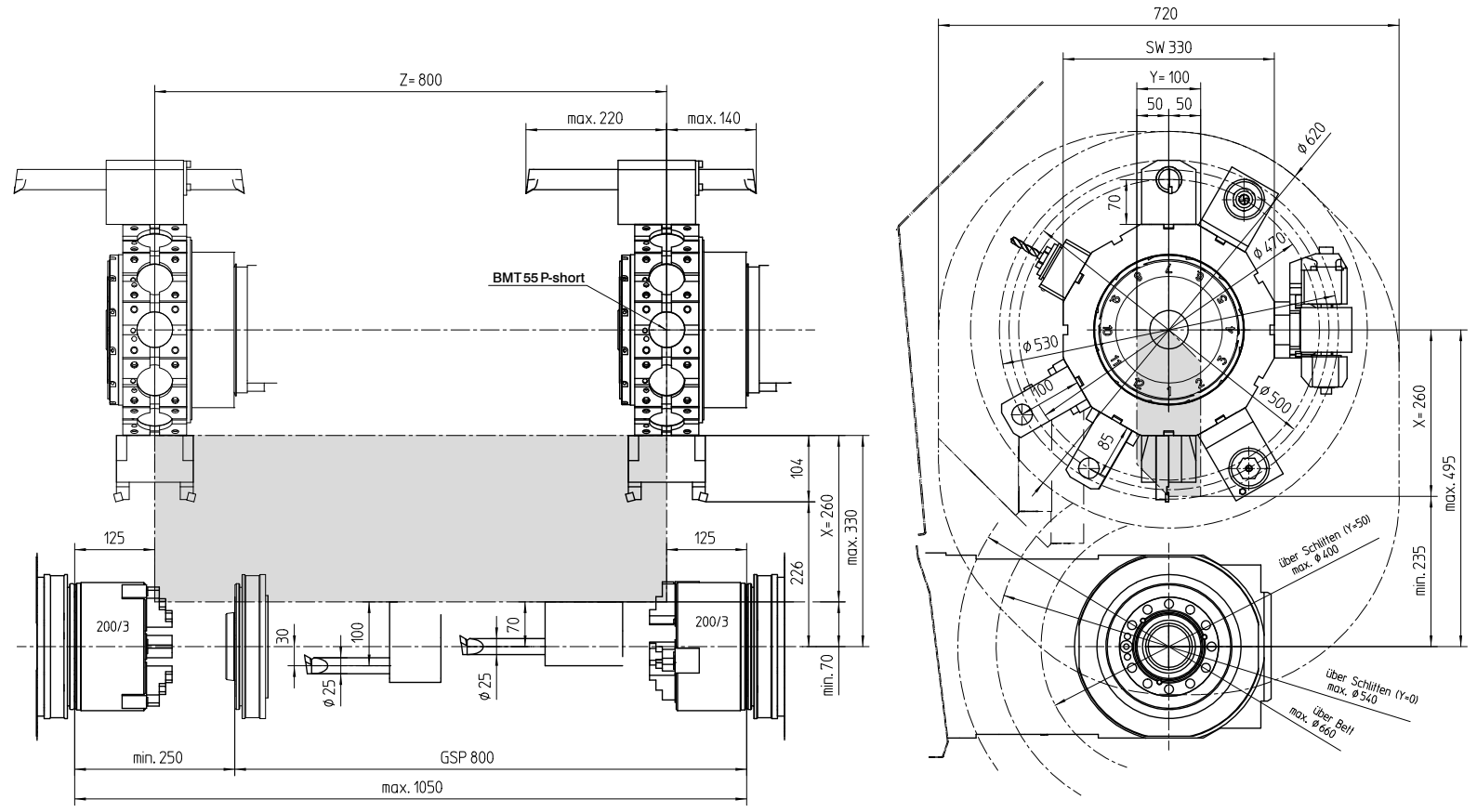
Maxxturn 65-1000
with VDI 40



Indications in millimeters

WORKSPACE

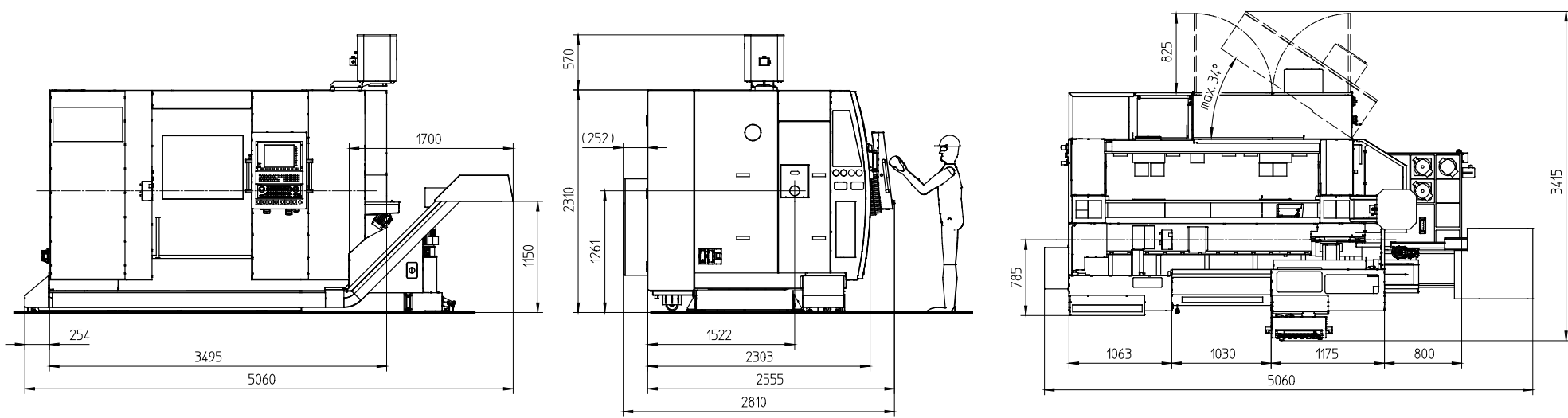
Maxxturn 65-1000 with BMT55P



Indications in millimeters

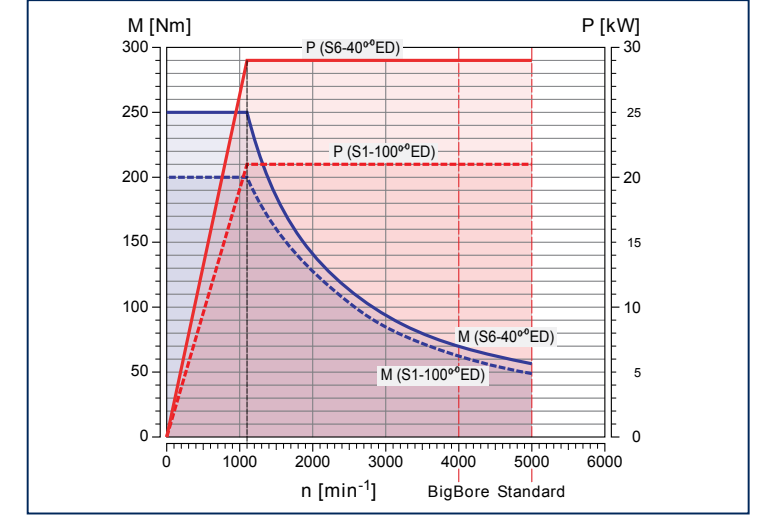
MACHINE LAYOUT

Machine layout Maxxturn 65-1000

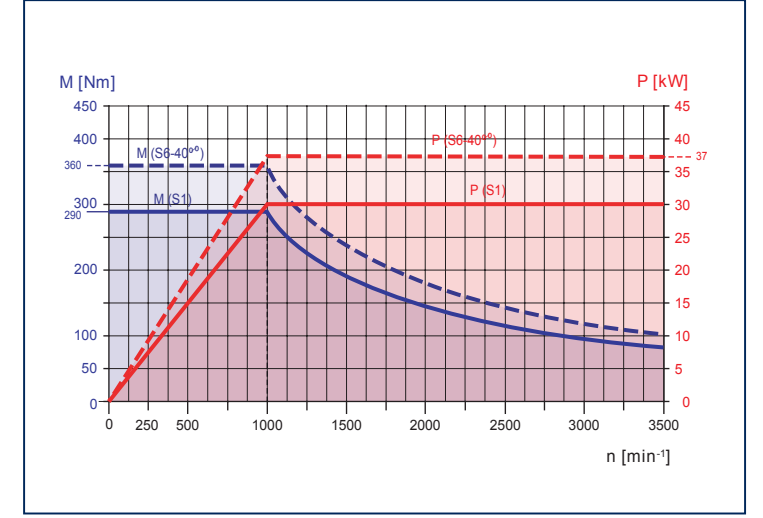


Indications in millimeters

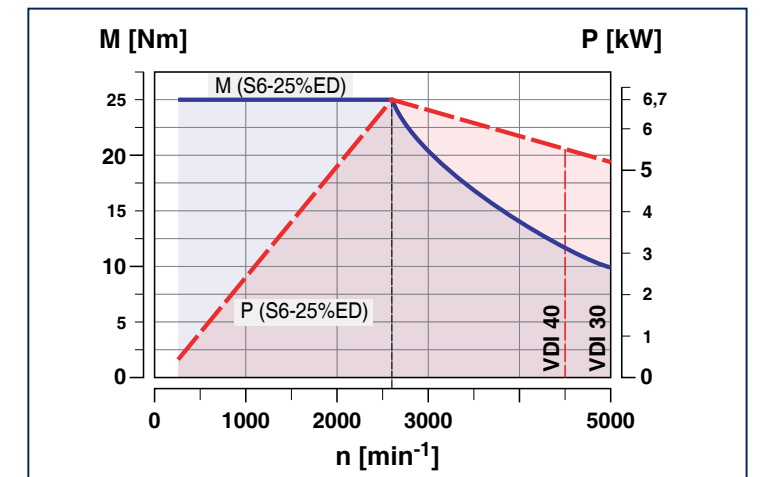
PERFORMANCE AND TORQUE



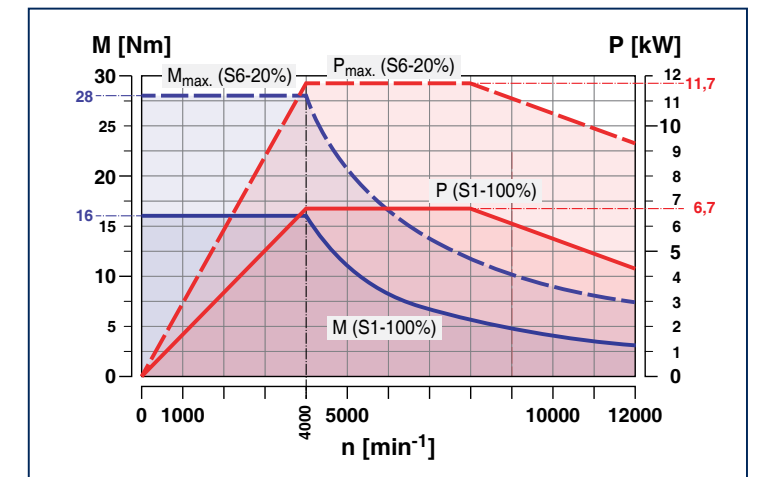
Main and counter spindle ø 65 / 76,2 mm



Main spindle ø 95 mm



Performance and torque tool turret - driven tools VDI 30/40



Performance and torque tool turret - driven tools BMT55P

TECHNICAL DATA

Work area

Swing over bed	Ø 660 mm
Swing over cross slide	Ø 540 mm
Distance between spindle noses	1050 mm
Maximum turning diameter	Ø 500 mm
Max. part length	800 mm
Max. bar-stock diameter	Ø 65 (76,2 / 95) mm

Travel

Traverse path X	260 mm
Traverse path Z1 / Z2	800 / 800
Traverse path Y	100 (+/-50)

Main spindle

Speed range	0 – 5000 (4000 / 3500) rpm
Maximum torque	250 (250 / 360) Nm
Spindle nose DIN 55026	A2-6 (A2-8 / A2-8)
Spindle bearing (inside diameter)	Ø 105 (130 / 140) mm
Spindle bore (excluding draw-back rod)	Ø 73 (86 / 106) mm

Counter spindle

Speed range (infinitely variable)	0 – 5000 (4000 / 3500) rpm
Maximum torque	250 Nm
Spindle nose DIN 55026	A2-6 (A2-8)
Spindle bearing (inside diameter)	Ø 105 (130/140) mm

C-axes

Resolution	0,001°
Rapid traverse	1000 rpm

Drive power

Main spindle (AC integrated-spindle motor)	29 (37) kW
Counter spindle (AC integrated-spindle motor)	29 kW

Tool turrets top and bottom

Number of tools stations	12
VDI shaft (DIN 69880)	30 (40) mm
Tool cross-section for square-shank tools	20 x 20 (25 x 25) mm
Shank diameter for boring bars	32 mm
Tool indexing time	0,7 sec

Driven tools

Speed range	0 – 5000 (4500) rpm
Torque	25 Nm
Drive power	6,7 kW
Driven tools	12

Turret with BMT-interface and direct drive

Number of tool positions	12 (16)
Precision interface	BMT55P (BMT45P)
Tool cross-section for square tools	25 x 25 (20 x 20) mm
Shank diameter for boring bars	25 x 25 (20 x 20) mm
Tool change time	0,7 sec
Speed range of the driven tools	0 – 12000 rpm
Torque of the driven tools	28 (25) Nm
Driving power of the driven tools	11,7 kW

Feed drives

Rapid speed X	30 m/min
Rapid speed Z1 / Z2	30 m/min
Rapid speed Y	12 m/min
Feed force X	5000 N
Feed force Z1 / Z2	8000 N
Feed force Y	7000 N

Coolant system

Tank capacity	450 liter
Coolant pump for the tool turret	14 bar
Flushing pumps for the work area	2 x 3,7 bar

Power consumption

Connected load	40 kVA
Compressed air	6 bar

Dimensions

Height of center above floor	1261 mm
Overall height	2341 mm
Required space L x W (with chip conveyor)	6100 x 2850 mm
Total weight	approx. 8450 kg

Safety devices CE compliant

beyond standard /

EMCO GmbH / Salzburger Str. 80 / 5400 Hallein-Taxach / Austria / T +43 6245 891-0 / F +43 6245 86965 / info.at@emco-world.com

www.emco-world.com